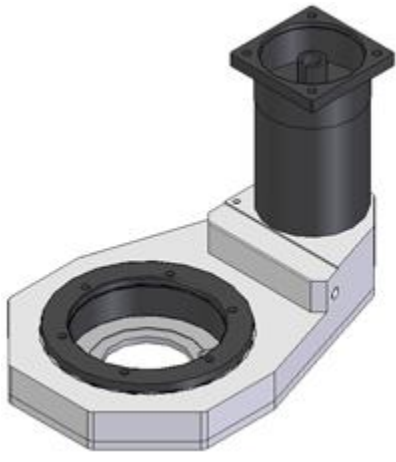
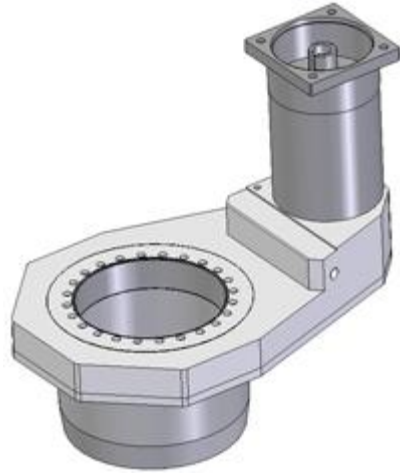


ACCESSORIES FOR ELECTROSPINDLES

Here you find accessories for HSD Electrospindles



C AXIS - Short Nose - [CODE H6314H0018C](#)



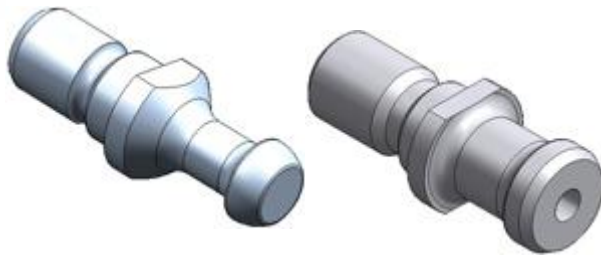
C AXIS - Longe Nose - [CODE H6314H0019B](#)



HSK F63 Flange



ISO 30 Flange



Pull-stud for ISO30 and ISO40



ISO and HSK Gripper



CABLES - Power and Signal from 2mt to 25mt